



## Bathtub - Meta

Tub spout without diverter for freestanding installation - polished chrome

Article number: 13 672 661-00



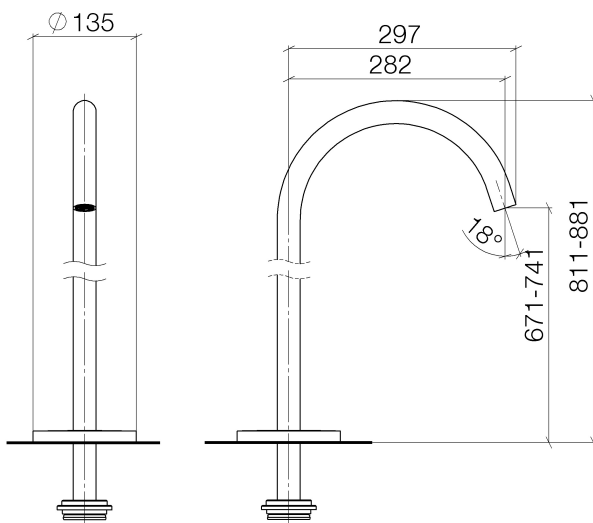
- 11-1/8" Projection
- Round aerator
- Total height 31-7/8" - 34-5/8"
- Height to aerator/spout outlet 26-3/8" - 29-1/8"
- Flanges  $\varnothing$  5-3/8"
- Water flow rate limited to max. 7.6 gpm
- Fittings group in compliance with DIN 4109: 1



polished chrome

Accessory is required for this item.

## Dimensional drawing



All dimensions in mm / inch = mm x 0,0394

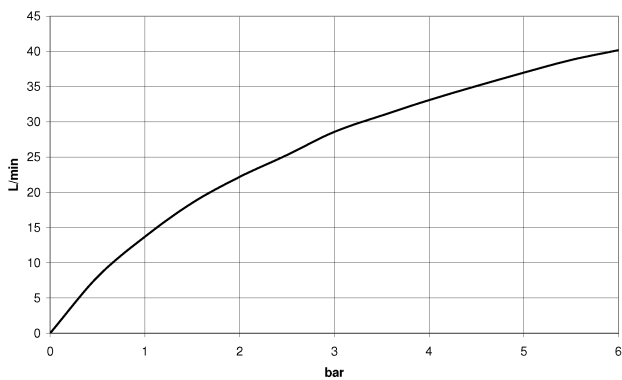


## Bathtub - Meta

Tub spout without diverter for freestanding installation - polished chrome

Article number: 13 672 661-00

### Flow rate chart





## Bathtub - Meta

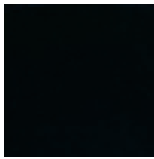
Tub spout without diverter for freestanding installation - polished chrome

Article number: 13 672 661-00

### Other surface finishes



platinum matte  
13 672 661-06



black matte  
13 672 661-33

More custom finish options are available via special production (xTra Service). Please see our finish matrix for availability and pricing or contact a Dornbracht representative.

### Required article



35 945 970-90 0010

Floor mounting rough set -